

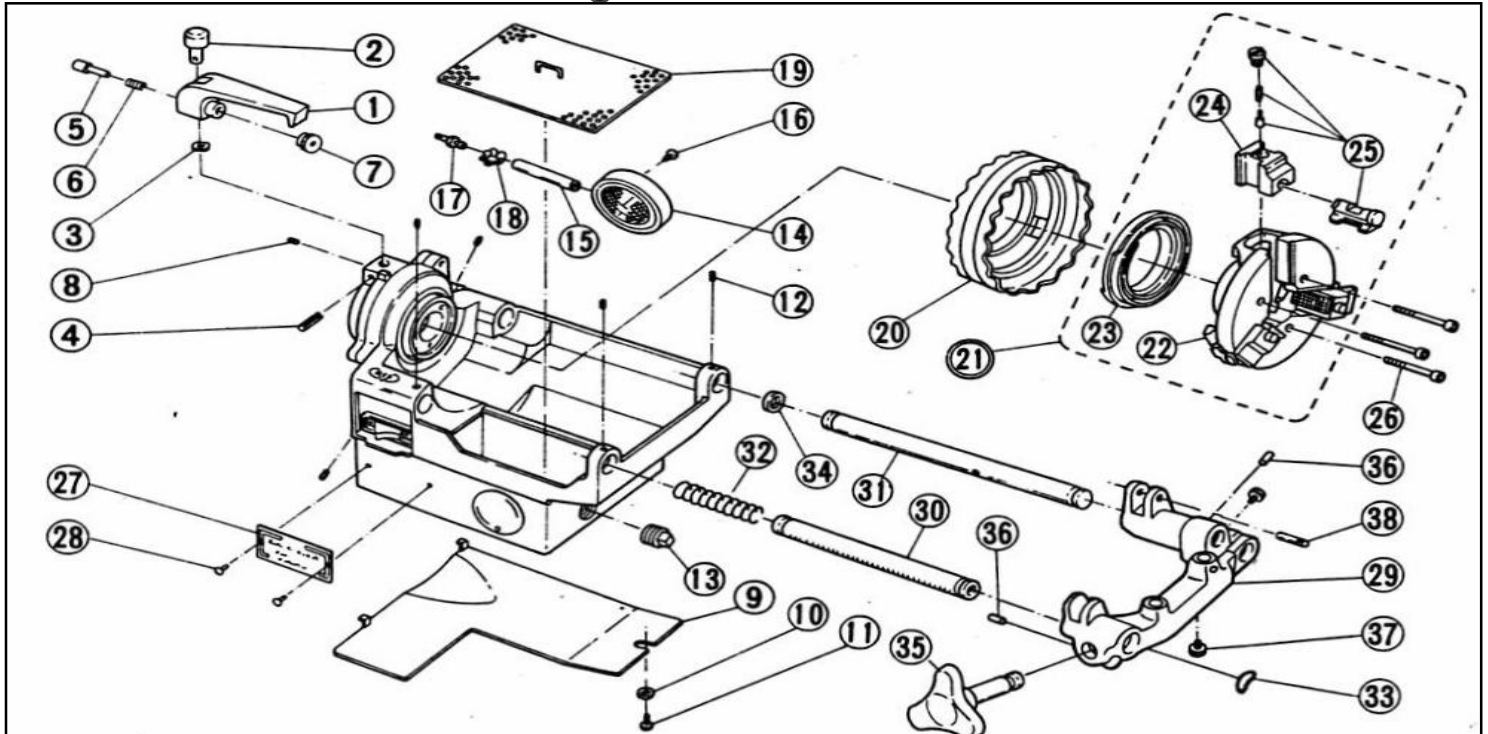
Wheeler-Rex Model 6991 (N25A) Pipe Threading Machine Parts List



Wheeler Mfg. Div Rex Intl USA Inc.
3744 Jefferson Road
Ashtabula, OH 44004
Tel: 800-321-7950
Fax: 440-992-2925
www.wheelerrex.com
wheeler@wheelerrex.com

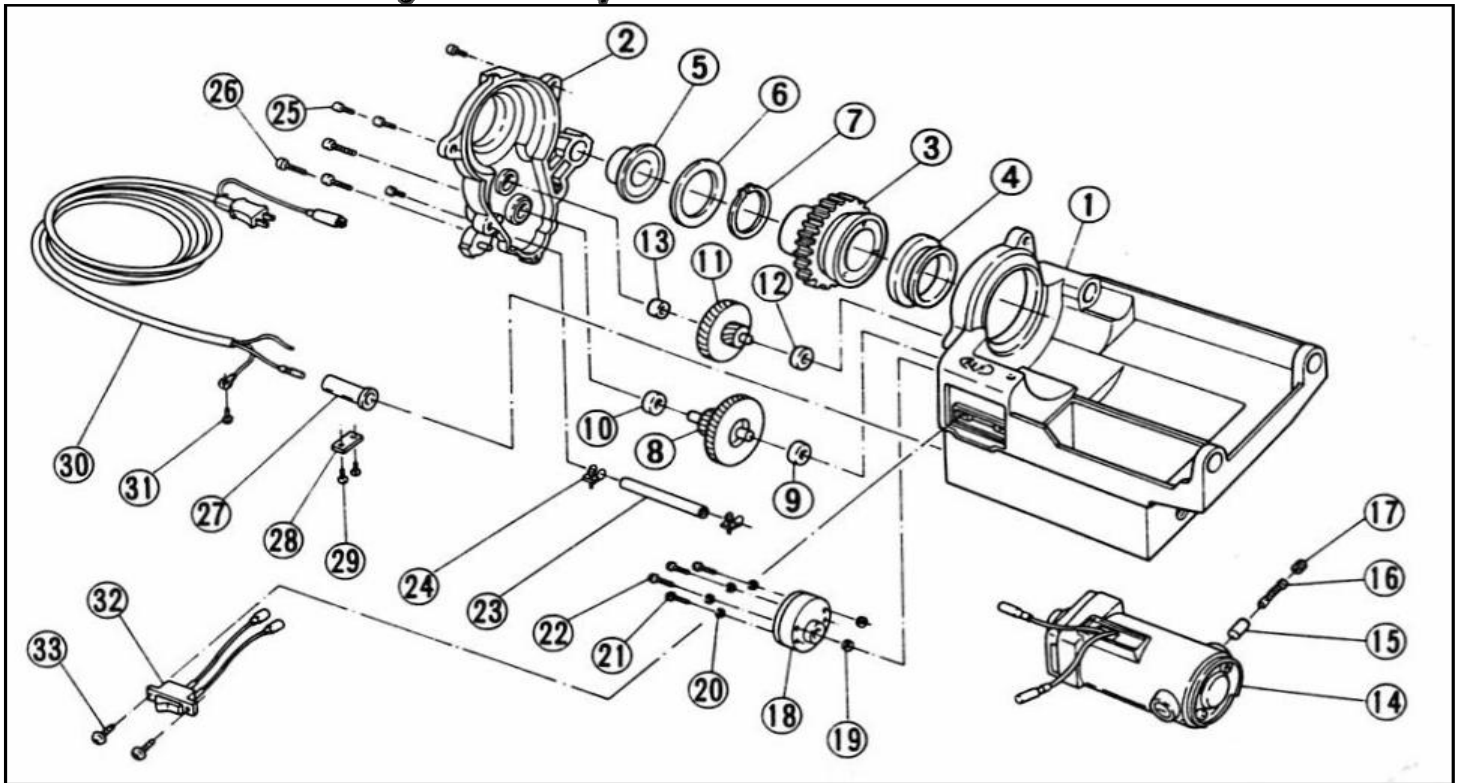
www.wheelerrex.com
www.rexind.co.jp

6991 Base and Carriage



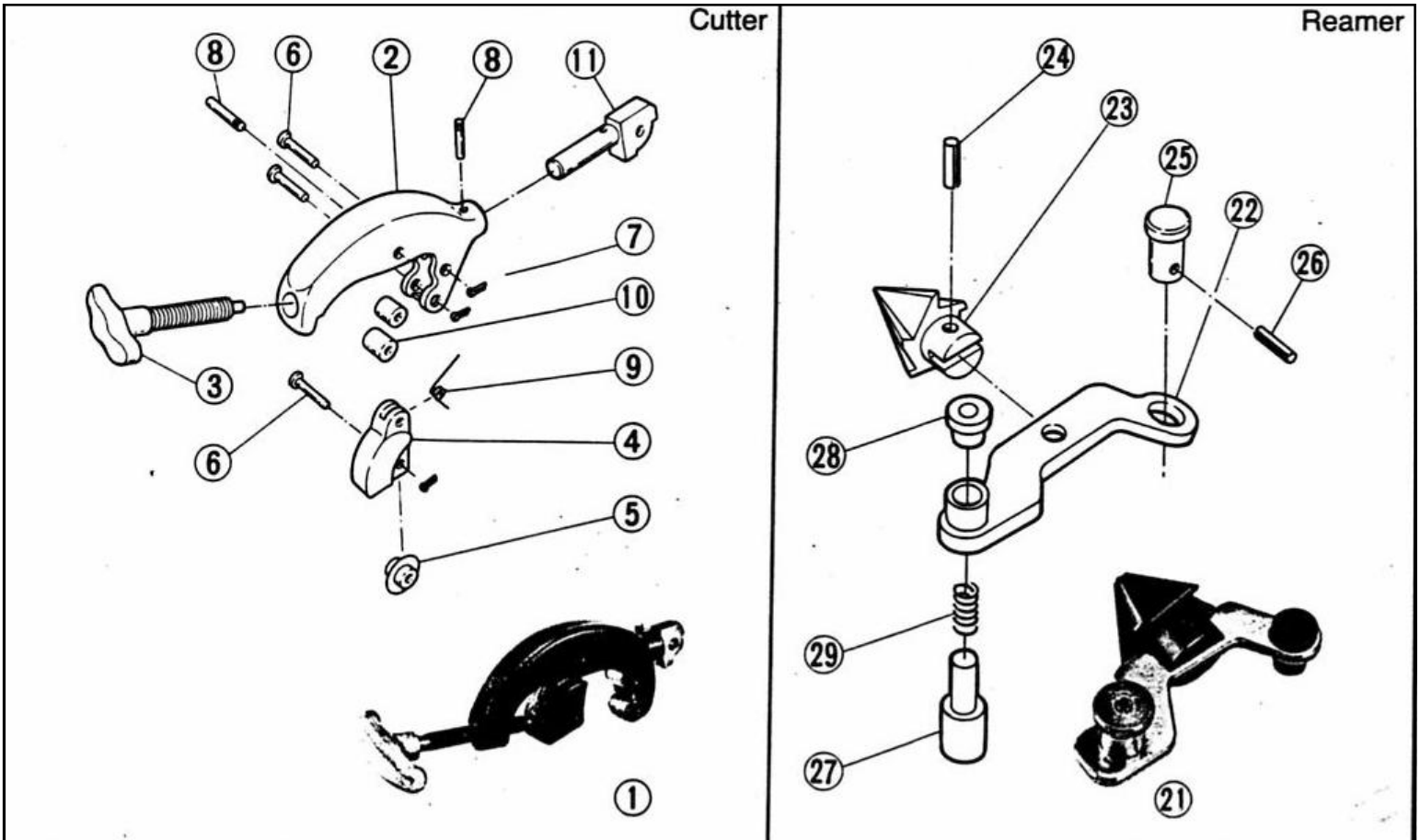
Number	Wheeler P/N	Description	Set	Rex P/N	Notes
1	600967	Carrying Handle	1	HW28	
2	600968	Carrying Handle Pin	1	HY29	
3	603584	Wave Washer (#WW-12)	1		
4	600225	Roll Pin (6x28)	1		
5	600969	Fastening Notch Shaft	1	HY30	
6	600402	Spring	1	TO50	
7	600971	Fastening Notch Knob	1	HY31	
8	602100	Hex Socket Pipe Plug (R1/8 SP-4)	3		
9	600972	Bottom Cover	1	HY27	
10	600248	Washer (5)	1		
11	600432	Rd Hd Machine Screw (M5x6)	1		
12	600439	Hex Socket Set Screw (M6x8)	3		
13	600145	Plug (R1/2)	1		
14	600731	Strainer	1	NO48	
15	600733	Oil Intake Line Suction Tube A (55mm)	1		
16	600732	Rd Hd Tapping Screw (M5x8)	1		
17	600730	Nipple	1	TO56	
18	600213	Pipe Band S (10mm)	1		
19	600973	Scrap Receiver	1	HY24	
20	600974	Hand Wheel	1	KY05	
21	602101	Chuck Complete Set	1 set	KY04	
22	602102	Chuck Body	1		
23	606334	Chuck Scroll	1		
24	600978	Chuck Jaw (1 set - 3 pieces)	1 set		
25	602103	Chuck Jaw Insert Set	3 set		
26	600156	Socket Hd Cap Screw (M6x45)	3		
27	606321	Name Plate (120V)	1	KY06	
28	600621	Rivet (#4x5)	2		
29	606319	Carriage	1	KY08	
30	600982	Carriage Support Bar A	1	HY21	
31	602105	Carriage Support Bar B	1	KY07	
32	606303	Spring	1	HY58	
33	606304	Wave Washer (WW-18)	1		
34	600985	O-Ring (P14)	1		
35	600986	Carriage Handle	1	HY47	
36	606488	Ball Plunger	2		
37	600988	Oil Cap	2	HY49	
38	600989	Cutter Arm Stop Pin	1	HY62	

6991 Base Casting Assembly



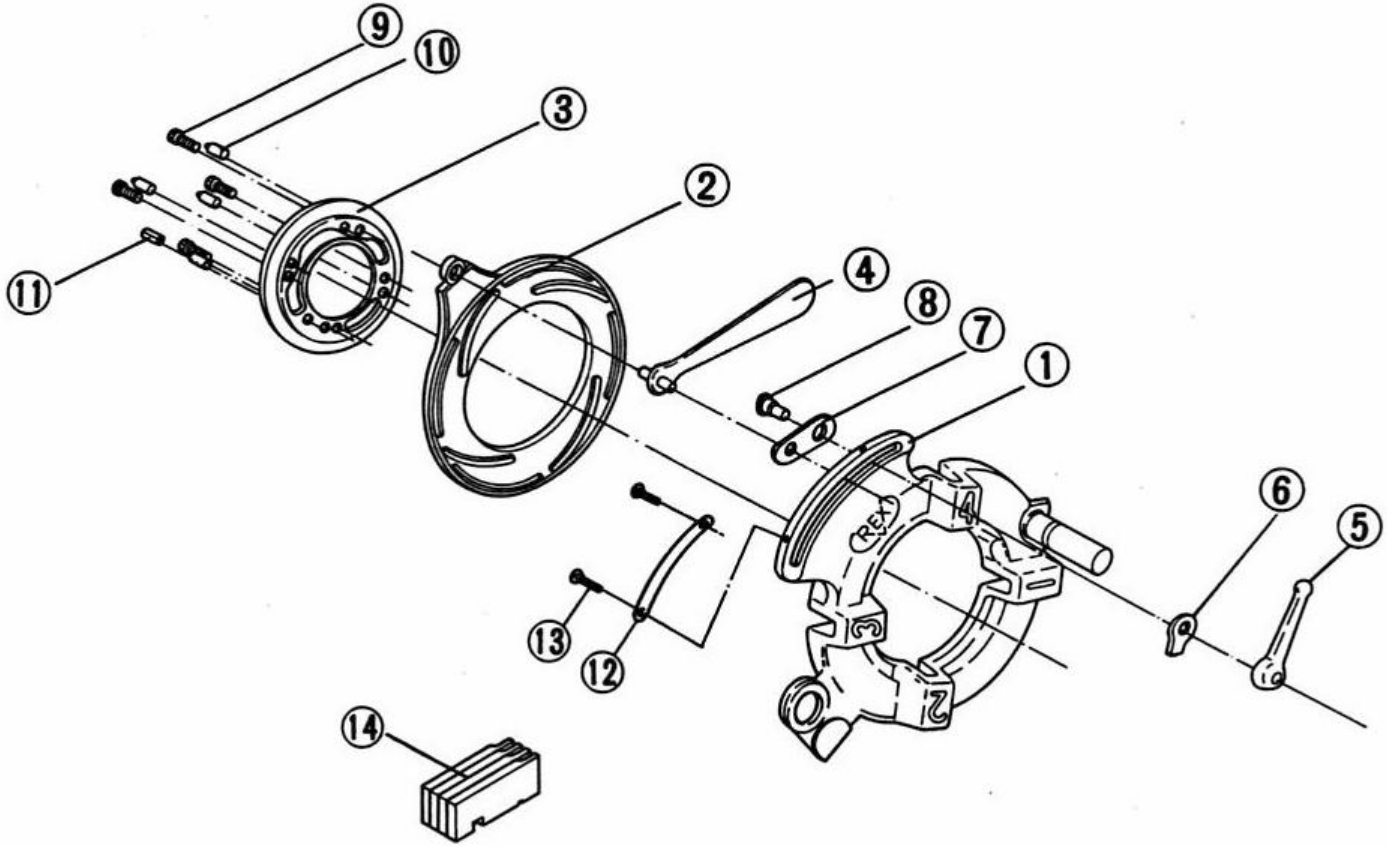
Number	Wheeler P/N	Description	Set	Rex P/N	Notes
		Base Casting Assembly	1 set	Ky01	
1	602104	Base	1		
2	606320	Gear Cover	1		
3	602106	Main Shaft Gear	1		
4	602107	Main Shaft Bearing A	1		
5	602108	Main Shaft Bearing B	1		
6	602109	Distance Piece	1		
7	600995	Snap Ring (outside 45)	1		
8	602110	Second Pinion	1		
9	600997	Bearing (#608VV)	1		
10	600998	Bearing (#6000VV)	1		
11	602111	Third Pinion	1		
12	602001	Bearing (#6001VV)	1		
13	602112	Third Pinion Collar	1		
14	602113	Motor (300W 120V)	1		
15	602004	Carbon Brush Holder (1set 2 pieces)	1 set		
16	602005	Carbon Brush (auto-stop) (1set 2 pieces)	1 set		
17	602006	Carbon Brush Cap (1set 2 pieces)	1 set		
18	602007	Gear Pump (oil pump)	1	HY16	
19	602008	O-Ring (P7)	2		
20	600124	Spring Washer (5)	4		
21	602009	Rd Hd Machine Screw (M5x12)	2		
22	600649	Rd Hd Machine Screw (M5x25)	2		
23	602010	Tube (105mm)	1		
24	600213	Pipe Band S (10mm)	2		
25	600131	Hex Socket Hd Screw (M6x16)	4		
26	602012	Rd Hd Machine Screw (M5x40)	3		with washer
27	602013	Cord Brush	1		
28	602014	Cord Clip	2		
29	602015	Rd Hd Machine Screw (M4x14)	2		with washer
30	221389	Cabtyre Cord	1		
31	602016	Rd Hd Machine Screw (M4x6)	1		
32	602046	Switch	1	HY04	
33	602017	Rd Hd Machine Screw (M3x12)	2		

6991 Cutter and Reamer



Number	Wheeler P/N	Description	Set	Rex P/N	Notes
Cutter					
1	602124	Complete Cutter	1 set		
2	602114	Cutter Frame	1	KY12	
3	602020	Cutter Handle	1	HY55	
4	602115	Cutter Guide	1	KY13	
5	60322	Cutter Wheel	1	HY64	
6	602022	Cutter Pin A	3	CT07	
7	600171	Spring Cotter	3		
8	602023	Cutter Guide Pin	2	HY61	
9	602024	Spring	1	HY63	
10	602025	Cutter Roller	2	HY57	
11	606324	Cutter Arm	1	KY16	
Reamer					
21	602126	Complete Reamer	1 set		
22	602116	Reamer Arm	1	KY10	
23	602125	Reamer Cone	1	KY09	
24	600957	Roll Pin (6x25)	1		
25	602118	Reamer Arm Stop Pin	1	KY11	
26	602031	Roll Pin (5x16)	1		
27	600969	Fastening Notch Shaft	1	HY30	
28	600971	Fastening Notch Knob	1	HY31	
29	600402	Spring	1	T050	

6991 Die Head



Number	Wheeler P/N	Description	Set	Rex P/N	Notes
1	602119	Universal Die Head Body	1	KY17	
2	602120	Cam Plate	1	KY18	
3	602121	Universal Retaining Ring	1	KY19	
4	602122	Eccentric Handle	1	KY21	
5	602377	Lever Nut	1	2377	
6	602381	Eccentric Washer	1	2381	
7	602371	Eccentric Link	1	2371	
8	602386	Eccentric Screw	1	2386	
9	600131	Socket Hd Cap Screw (M6x16)	4		
10	601576	Dies Notch (Same as pn 602044)	4	G860	
11	600665	Roll Pin (5x14)	1		
12	602123	Size Plate	1	KY22	
13	600668	Truss Screw (M4x6)	2		
14	60211	1/2" - 3/4" NPT Dies	1 set		
	60212	1" NPT Dies	1 set		
	60210	1/4"-3/8" NPT Dies	1 set		
15	60131	Complete Die Head 1/4" - 1" NPT			